

Evolve Security Products Limited



# Tripod Turnstiles

Photos and information in this brochure are for reference only and may not reflect the actual product. Our brochures and product are subject to change without notice.



# TT301

## TRIPOD TURNSTILE

### Our standard TT301 consists of:-

- Bridged cabinet made from 304 stainless steel, housing a motorised drop arm drive unit.
- 304 stainless steel removable lid.
- 2 No. sloped 80mm, 304 stainless steel end panels.
- 2 No. LED status indicators, one each end.

### TECHNICAL SPECIFICATION.

- Power supply: 230V single phase 50/60Hz. 120W
- Operating voltage: 24Vdc.
- Nominal consumption: Max 40 W.
- Operating temperature: —20 to 60°C with optional heater.
- Operating humidity: 0 to 90% RH.
- Flow rate: 20~ 30 passages/minute, depending on access control system and users.
- Motor: - Brushless
- MCBF when respecting recommended maintenance; 5,000,000 cycles.

### SAFETY IN USE

The turnstile arms automatically drop on power failure or activation of the emergency input, when power is restored or when the alarm reverts to normal the arm automatically right itself.

### OPERATING MODES.

The TT303 can operate in 9 different work modes:-

1. FREE, in either or both directions.
2. BARRED locked, in either or both directions.



**Our TT301 modular design tripod turnstile offers, cost-effective, fast operating, easy to use, reliable entrance solution for internal or external use in areas where there is a large and constant flow of people.**

Its modular construction with different end panels and various tops meet all the aesthetic requirements needed for today's corporate environment.

The turnstile is designed for use in metro stations, railway stations, bus stations, airports, corporate reception areas, factories, hotels, scenic spots, museums, libraries, exhibition centres, stadiums, education facilities and cinema, etc.

Throughput speed is approximately 25~30 people/min, but dependent on the access control system and the speed and type of the users.



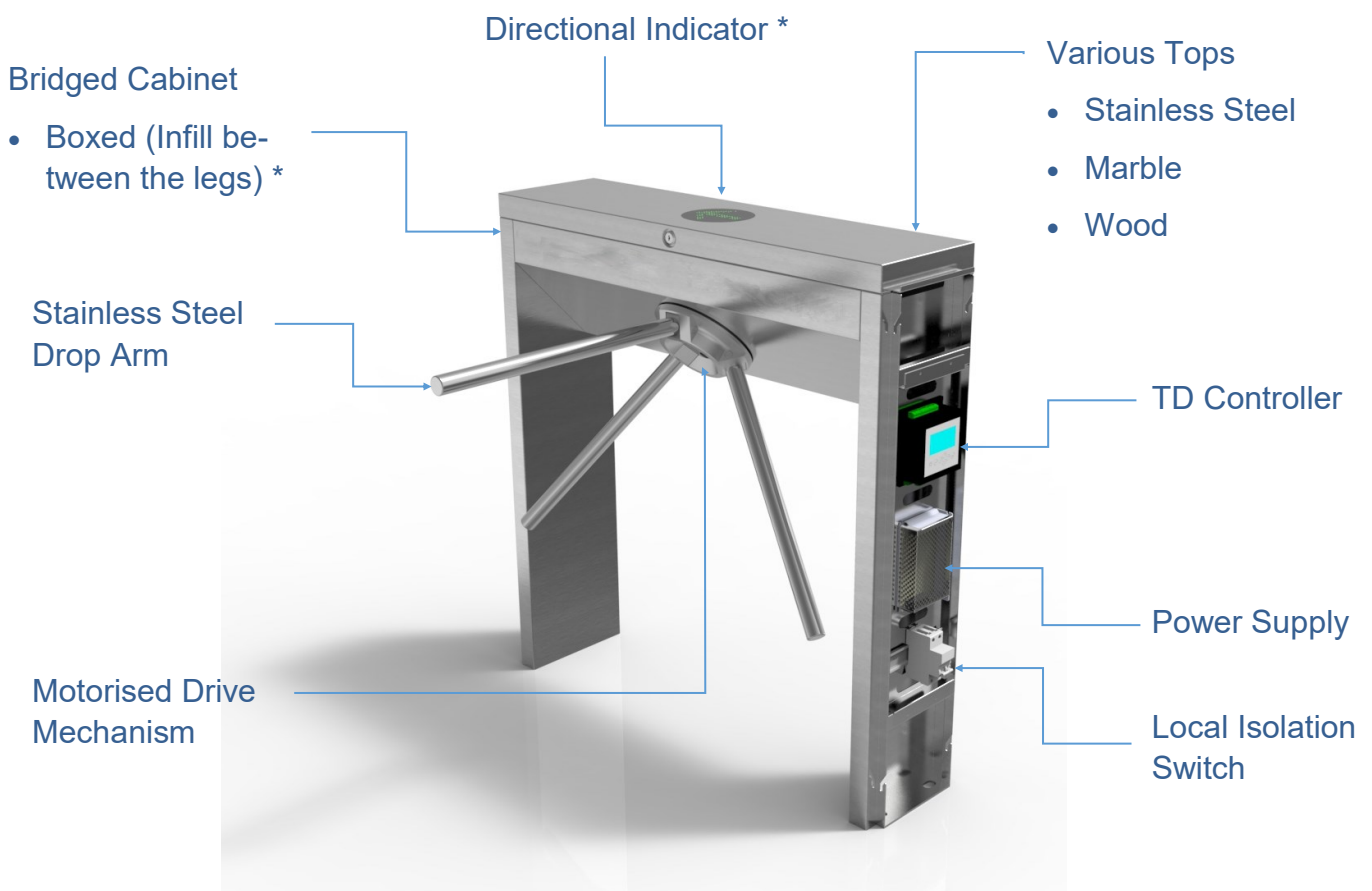
# TT301 - Data Sheet

## WORK BY OTHERS

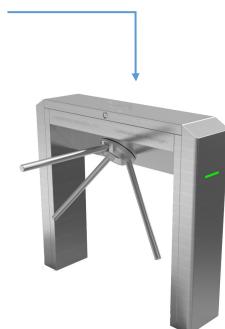
- Bolting the units to the floor.
- Electrical supply.
- Cabling to any external peripherals.
- Integration of any accessories.

The stainless steel cabinet houses a motorised head mechanism. The cabinet can be fitted with various tops manufactured from different materials, the standard is stainless steel.

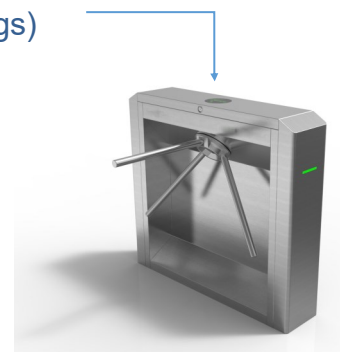
Various end panels are available the standard is stainless steel 80mm wide with a sloped top.



Bridged Cabinet (Standard)



Boxed (Infill between legs)





# TT301 - Data Sheet

Stainless  
Steel



Marble



Wood



Thin



Hex



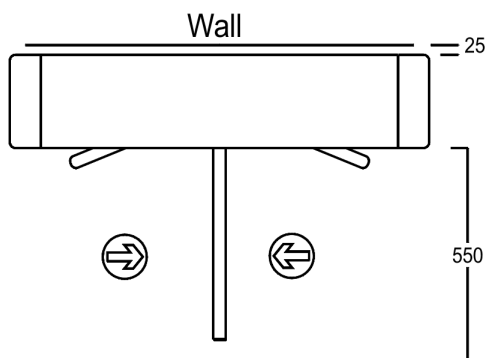
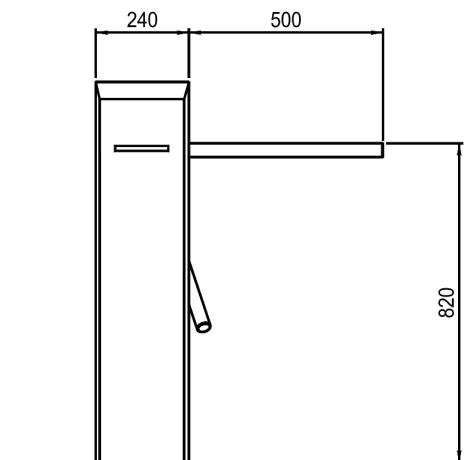
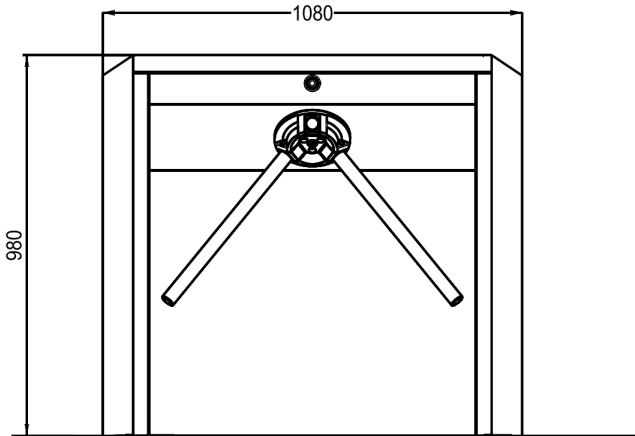
Round



Slopped



Square



# HOW TO CONTACT US



## Evolve Security Products Ltd.

Unit 4, Kenyons Yard,  
Weyhill Road,  
Andover,  
Hampshire.  
ENGLAND  
SP10 3NP

**Telephone:**

01264 726412

**Web:**

[www.EvolveSecurityProducts.com](http://www.EvolveSecurityProducts.com)

## BFT Automation UK Ltd.

Units C2-C3,  
The Embankment Business Park,  
Vale Road,  
Heaton Mersey,  
Stockport.  
SK4 3G6L

**Telephone:**

01614 560 456

**Web:**

[www.bftautomationuk.com](http://www.bftautomationuk.com)

# Rest Of The World



## Evolve Autogate Products Ltd.

Flat C,4/F,Lladro Center , No,. 72 Hoi Yuen Road, Kwun Tong, Kowloon. HONG KONG

**Telephone:** 00852 35231568

## Evolve (ShangHai) Autogate Co.,Ltd.

1212, Building 3, No. 655 Gaoji Road, Sijing Town, Songjiang District, Shanghai. CHINA

**Telephone:** 021 34692566

## Evolve (ShangHai) Autogate Co.,Ltd.

1212, Building 3, No. 655 Gaoji Road, Sijing Town, Songjiang District, Shanghai. CHINA

**Telephone:** 021 34692566